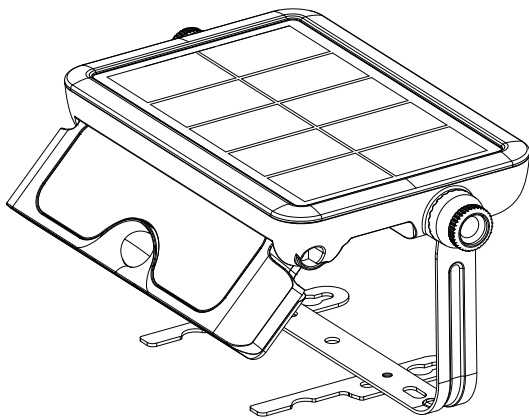


# Multifunctional Solar LED Flood / Work Light User Manual



7W 900LM

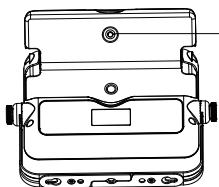


Please follow all instructions to operate.  
Save this manual for future reference.

## Top Specification

Brightness	900LM
Output Power	7W
≈ Traditional Power	70W
LEDs	SMD2835*64PCS
Battery Pack	18650 3.7V 3600mAh 13.32Wh
Mono Solar Panel	2.6W 5V
3 Optional CCT	3000K, 4000K, 6000K Optional
Beam Angle	120°
Adjustable Angle	Solar Panel 360° Adjustable Lighting Direction 135° Adjustable
Digital PIR Sensor	120°/2~6 Meters
Work Modes	Mode A: Sensor Mode Mode B: Keep Lighting Mode Mode C: Work Light Mode
Charging Time	6~8 Hours Strong Sunshine to Fully Charge
Lighting Time	Mode A: 60H Max. Mode B: 30H Mode C: 12H
IP Rating	IP65 Dustproof and Waterproof
Lamp Size	231.9*149.6*35mm
Installation Height	2-4M
Installation Distance	4-6M
Lighting Area	60 m <sup>2</sup>
Housing Material	ABS+PC+Aluminum, Anti-UV
Packing	1*Lamp, 1*Measure Card, 2*Screws, 1*Allen Wrench, 1*User Manual
Warranty	3 Years Warranty

## 3 Optional Work Modes & 3 CCT



→ On / Off  
Select Work Mode  
Switch CCT

### Mode A: Sensor Mode

Press the button 1st time, the lamp flashes once and turns on to Mode A:  
Lamp automatically lights up at night, automatically turns to full brightness when motion is detected in the range <math>\leq 6\text{mtr}</math>, then dims to 2% brightness after 20 seconds of no motion.



### Mode B: Keep Lighting Mode

Press the button 2nd time, the lamp flashes twice and turns to Mode B:  
Lamp automatically lights up at night and keeps full brightness for 5 hours, then turns to Mode A.

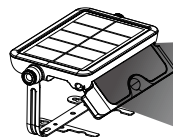


### Off

Press the button 3rd time, the lamp flashes three times and turns off.

### Mode C: Work Light Mode

In the off state, long press the button for 3 seconds, the lamp will light up and enter Mode C:  
Light sensor and PIR motion sensor are both dis-activated in Mode C, lamp will permanently keep lighting until the battery power reduces to zero switching back to Mode A.








### Switch CCT

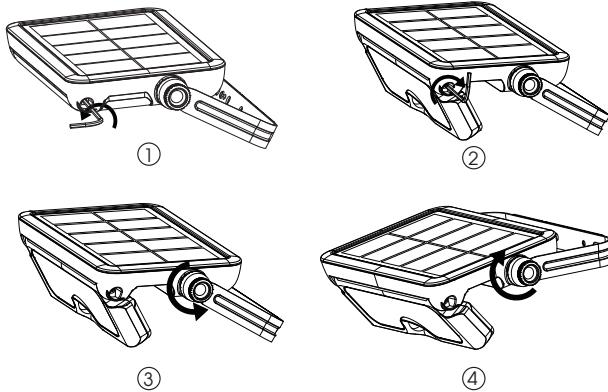
In any mode of A, B, or C, long press the button for 1.5 seconds to switch the color temperature.

\* The CCT Switch includes a memory function.

## Package Content

1*Lamp	1*Measure Card	2*Screws	1*Allen Wrench	1*User Manual
				

## Installations



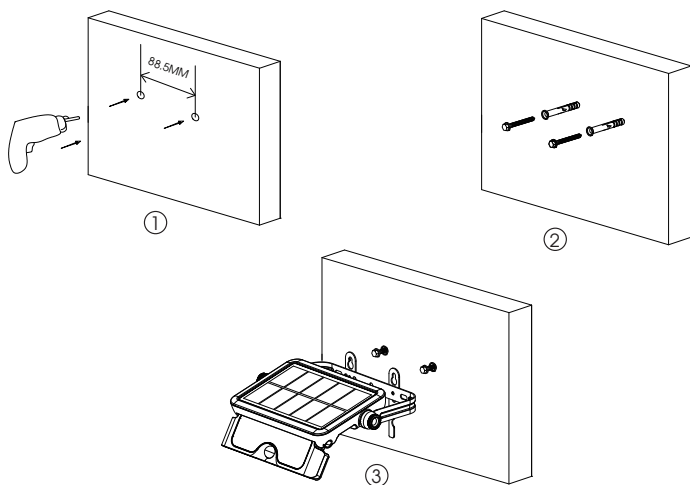
Please prepare lamp, accessories and tools first.

- ① ② Use Allen Wrench to loosen the light panel and adjust it to the demanded lighting angle, then fix the screws tightly.
- ③ ④ Rotate the screws to loosen the bracket, adjust it to the appropriate angle and then fix the screws tightly.

### Installation C: Hang on the wall

- ① Please drill 2 holes of  $\phi$  8mm on the wall with a spacing of 88.5mm.
- ② Fix the expansion plugs and screws into the holes with a spare space (do not lock to the bottom).
- ③ Push aside the stand bracket, align the hanging holes to the screws and hang the lamp on the wall.

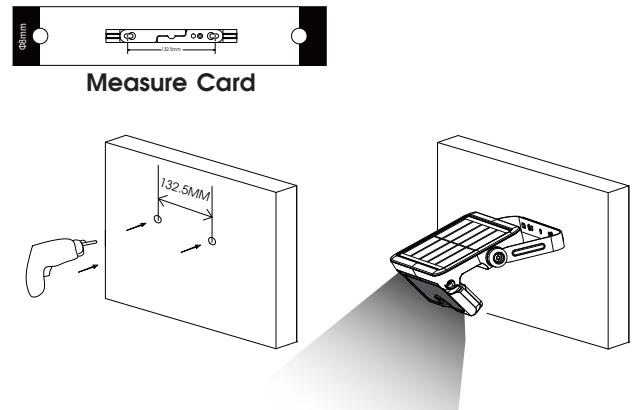
\* The recommended hanging height is less than 2Mtrs.



### Installation A: Wall Mount

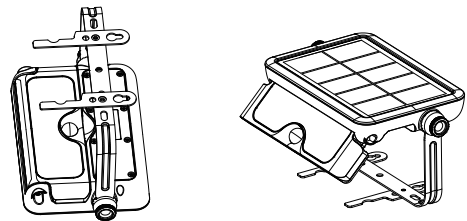
Please use the measure card to drill 2 holes of  $\phi$  8mm with a spacing of 132.5mm, then fix the lamp onto the wall with expansion plugs and screws.

\* The recommended mounting height is 2-4Mtrs.



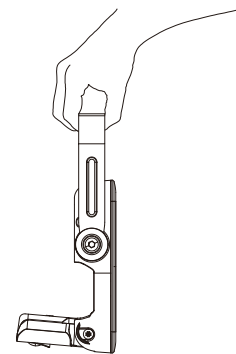
### Installation B: Put on flat surface directly

Push aside the stand bracket and put it on a flat surface.



### Installation D: Portable

Adjust the light panel and bracket to the demanded angle for portable use flexibly.



## Cautions

1. This is a solar powered lamp, please install the lamp in a location where can get enough sunshine.
2. When the lamp is turned off, it will still charge during the day.
3. Please note the lighting time depends on sunshine duration & work mode.
4. Over-charge and over-discharge protection system is included, safe & durable.
5. The lamp is equipped with an internal battery, which is replaceable.
6. Non-professionals please do not disassemble the lamp.
7. Please do not dispose of the battery with household garbage to avoid explosion.