

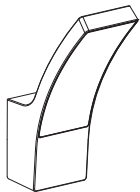
PHILIPS

Splay Ultra Efficient
9290033596

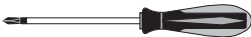
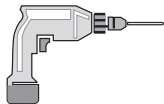


User manual
Benutzerhandbuch
Notice d'emploi
Manual de usuario
Manual do usuário
Manuale d'uso
Gebruiksaanwijzing

Incl.



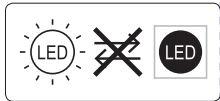
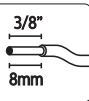
Excl.

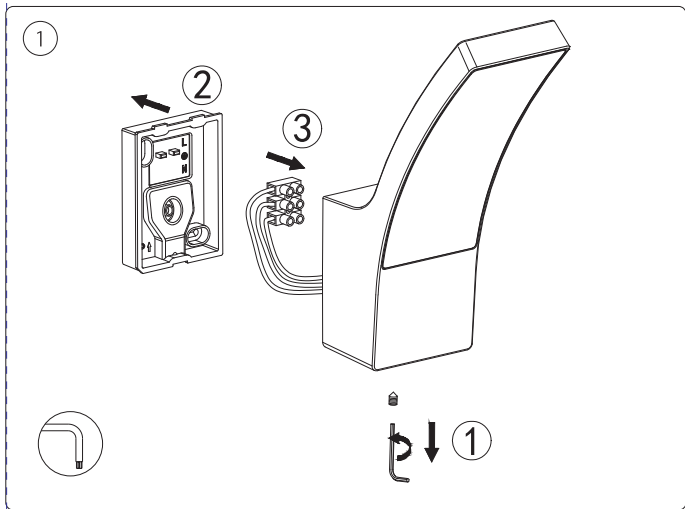
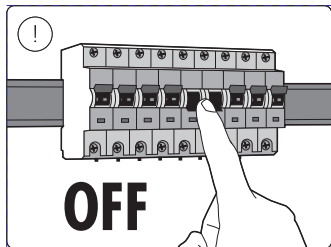


B

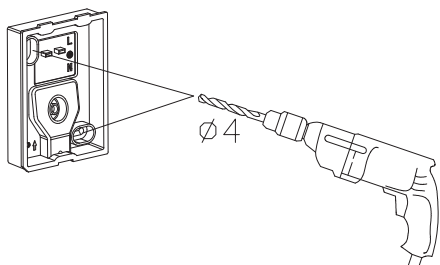


IP44

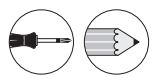
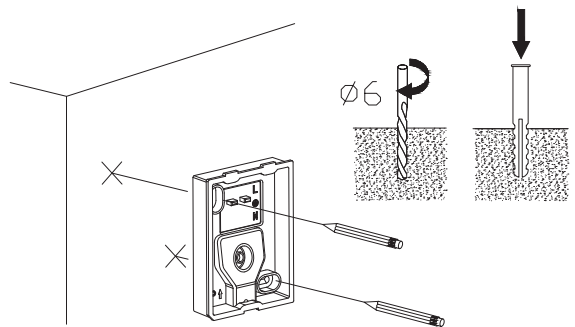




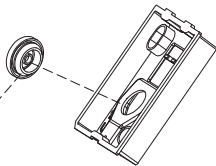
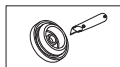
2



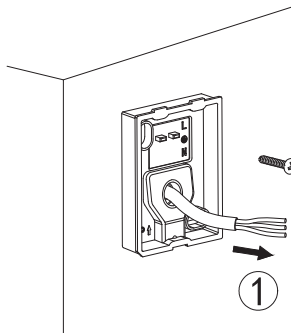
3



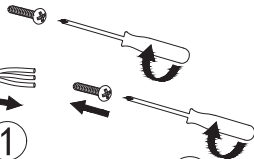
4



5

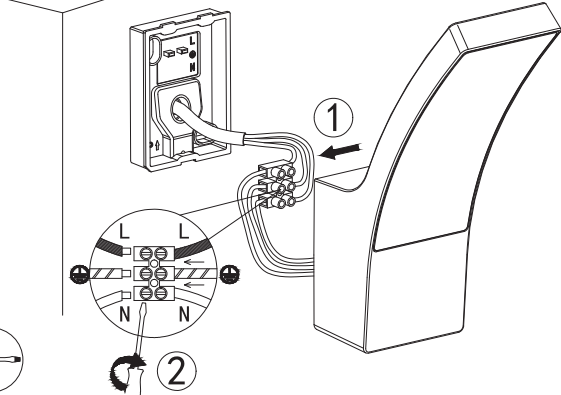


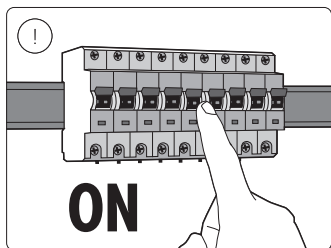
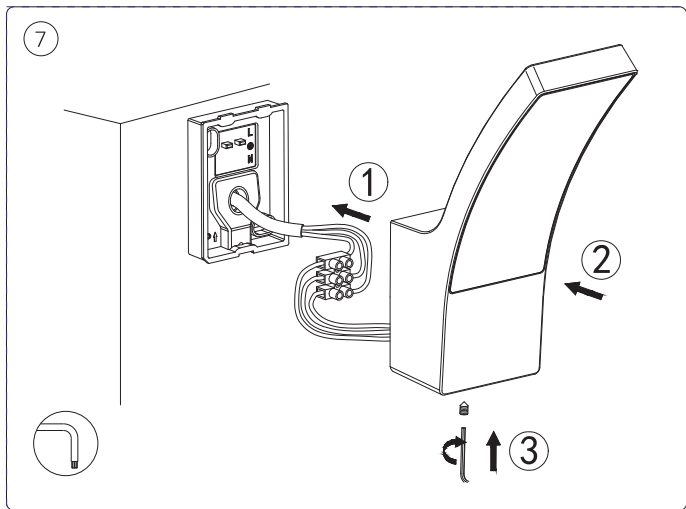
1



2

6







Signify Commercial UK Limited
Unit 3, Guildford Business Park,
Guildford, Surrey, GU2 8XG, UK

Signify
I.B.R.S. / C.C.R.I. Numéro 10461
5600 VB Eindhoven,
the Netherlands
00800-74454775

Philips and the Philips Shield Emblem are registered trademarks
of Koninklijke Philips N.V. and are used under license

3241 660 8861
www.philips.com/lighting

© 2023 Signify Holding

The Signify logo, consisting of a stylized 'S' inside a circle followed by the word "signify" in a lowercase, sans-serif font.