

# PHILIPS

Outdoor Low Voltage  
Purex

9290040723

9290040856

9290040860



User manual  
Benutzerhandbuch  
Notice d'emploi  
Manual de usuario  
Manual do usuário  
Manuale d'uso  
Gebruiksaanwijzing

Incl.

**A**



**B**



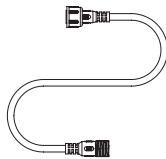
x3

Type F or Type G or Type J

x1

x1

x1



5m x1



**B**



IP44

Luminaire



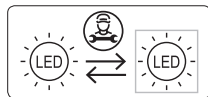
IP20

Type G



IP55

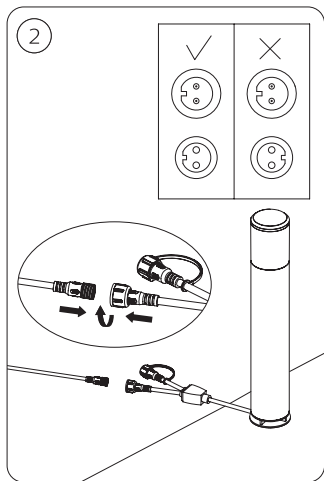
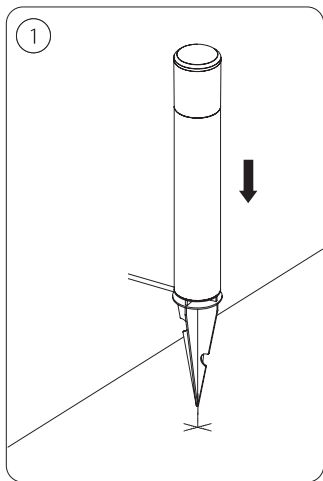
Type J

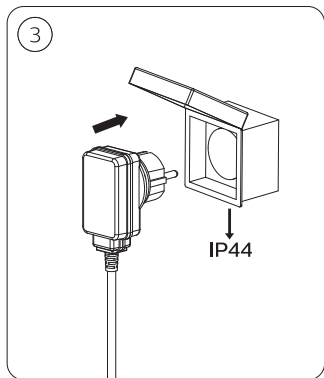


IP44

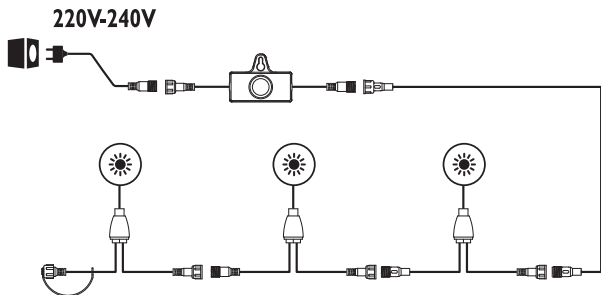
Type F







## Philips GardenLink Low-volt system (24V)





Signify Commercial UK Limited  
Unit 3, Guildford Business Park,  
Guildford, Surrey, GU2 8XG, UK

Signify  
I.B.R.S. / C.C.R.I. Numéro 10461  
5600 VB Eindhoven, the Netherlands  
☎00800-74454775

Philips and the Philips Shield Emblem  
are registered trademarks of Koninklijke  
Philips N.V. and are used under license.

[www.philips.com/lighting](http://www.philips.com/lighting)

© 2023 Signify Holding  
©ignify

3241 661 00023