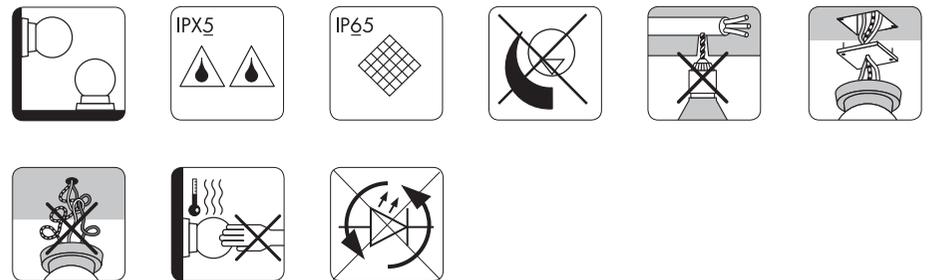
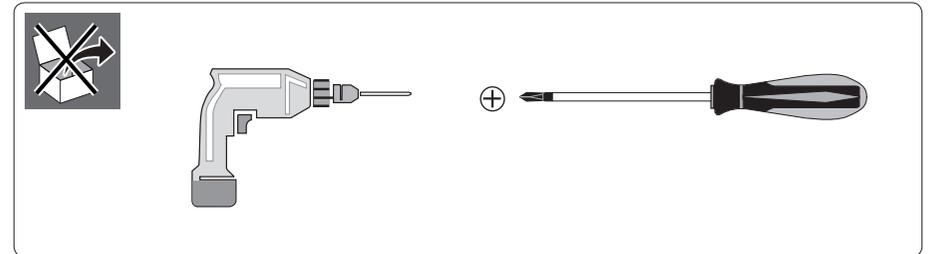
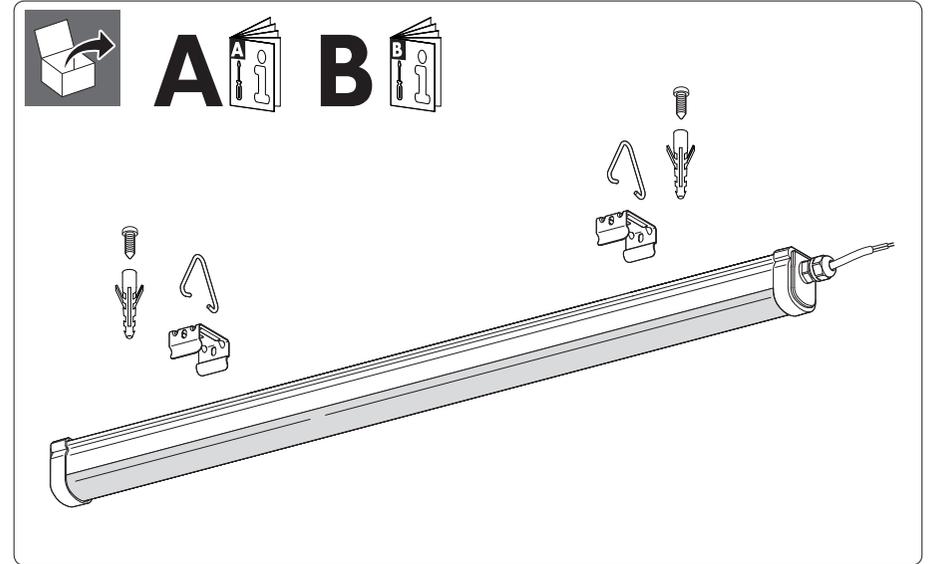
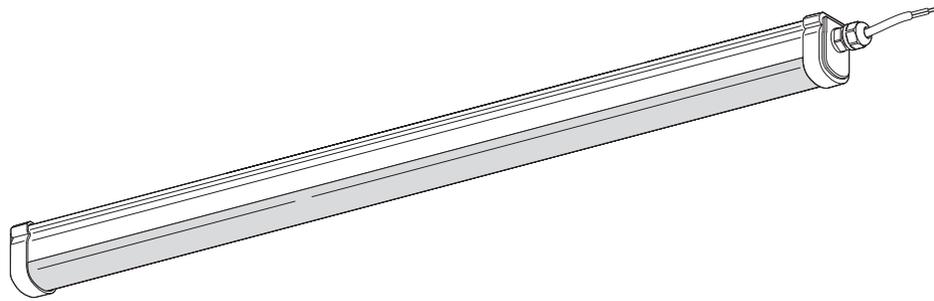


PHILIPS

Projectline

Waterproof

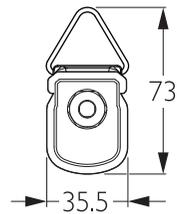
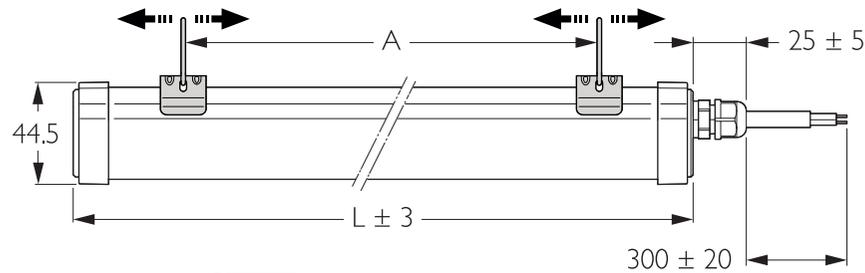


Gebruiksaanwijzing
Notice d'emploi
Benutzerhandbuch
User manual
Manual de usuario

PHILIPS
I.B.R.S. / C.C.R.I. Numéro 10461
5600VB Eindhoven, the Netherlands



Product Type	CCT (K)	Energy efficiency class of light source	P (W)	Vol. /Fre.	
Projectline Waterproof 60 1550lm 3000K	3000	E	17	220-240V 50/60Hz	0.19
Projectline Waterproof 120 3100lm 3000K			34		0.29
Projectline Waterproof 60 1700lm 4000K			17		0.19
Projectline Waterproof 120 3400lm 4000K	4000	E	34	220-240V 50/60Hz	0.29
Projectline Waterproof 150 5400lm 4000K			54		0.36
Projectline Waterproof 120 3400lm 6500K	6500	E	34	220-240V 50/60Hz	0.29
Projectline Waterproof 150 5400lm 6500K			54		0.36



L ± 2 mm	A mm
598	200 - 260
1198	400 - 600
1498	800 - 1000

