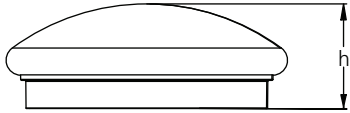
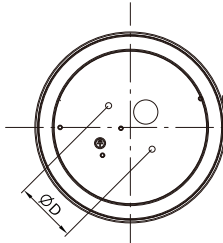


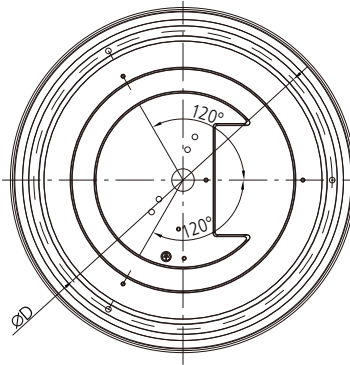
d = 180mm 6W
 d = 250mm 12W
 d = 330mm 18W
 d = 360mm 24W



h = 75mm 6W
 h = 80mm 12W
 h = 96mm 18W
 h = 100mm 24W



D=51mm 6W



D = 182 mm 12W
 D = 265 mm 18W
 D = 265 mm 24W

